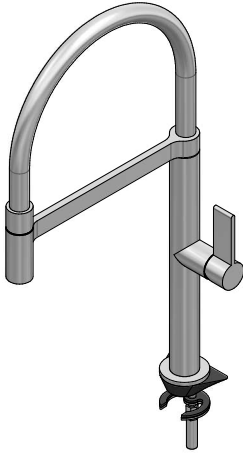


1RUBMFX

DESCRIZIONE Rubinetto Miscelatore FLEXI
DESCRIPTION FLEXI mixer tap

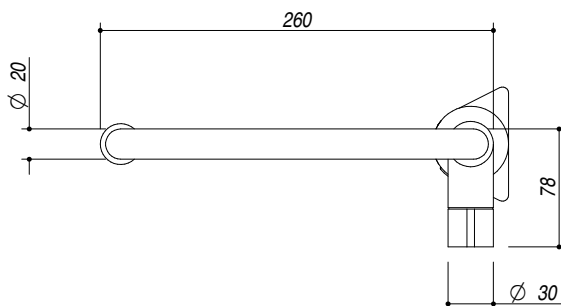
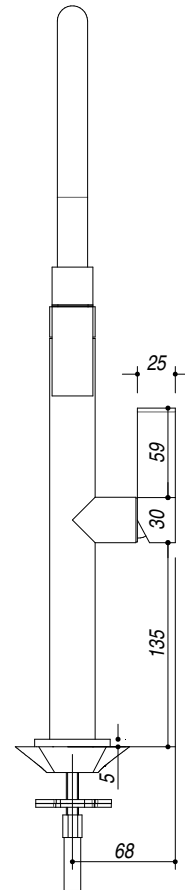
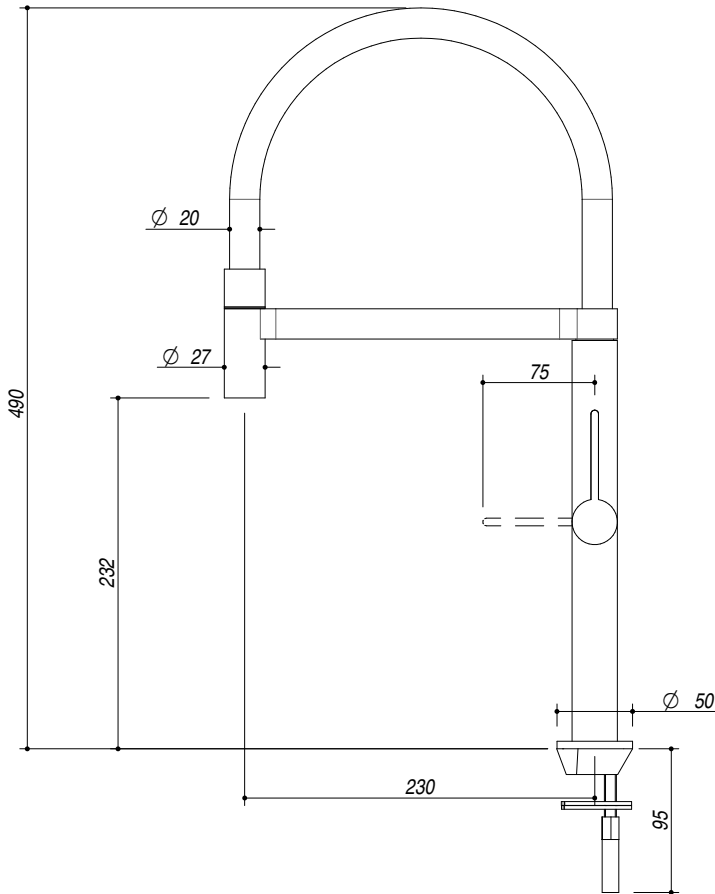
PESO LORDO 2.9 kg
GROSS WEIGHT

DIMENSIONI IMBALLO 800x325x85 mm
PACKAGING DIMENSIONS



FINITURA INOX SATINATO
SATIN STAINLESS STEEL FINISH

- **Cartuccia: dischi ceramici (Ceramic disc cartridge)**
- **Rotazione canna: 360° (Top rotation: 360°)**
- **Base rubinetto: Ø 50 mm (Tap Base)**
- **Foro Rubinetto: Ø 35 mm (Tap Hole)**
- **Portata media: 9 litri / min (Average flow: 9 l/min)**



SCALA DISEGNO 1:5
DRAWING SCALE



TUTTE LE MISURE IN mm
ALL MEASURES IN mm

TOLLERANZA LINEARE: ± 0.5 mm
LINEAR TOLERANCE

TOLLERANZA ANGOLARE: ± 0.2 °
ANGULAR TOLERANCE